

D-BOX G5

Quick Start Guide

PACKAGE CONTENT

-  > 1x Haptic Bridge
-  > 1x USB A to USB B Cable
-  > 1x Power Supply
-  > Mounting screws (4 per Actuator)
-  > 1 to 4 Haptic Actuator(s)
-  > Power Cables & "Y" Splitters:

1250i	2x Power Cables
2250i	2x Power Cables + 1x "Y" Splitters
3250i	3x Power Cables + 1x "Y" Splitters
4250i	3x Power Cables + 2x "Y" Splitters

OPTIONAL COMPONENTS (SELECTED AT ORDER)

-  > Endings (captive or non captive)
-  > Brackets ("L" or "U" shape)
-  > Pivot Delrin

1 | INSTRUCTION MANUAL

Download the instruction manual for reference if needed.

2 | UNBOXING

- 1 Unpack the product from the box.
- 2 Visually inspect the product for damage.
- 3 If any part appears to be broken, contact D-BOX Support Team.*

3 | INVENTORY

Ensure that you have all the components to assemble your system. Refer to the "Package Content" section.

4 | VOLTAGE SELECTION

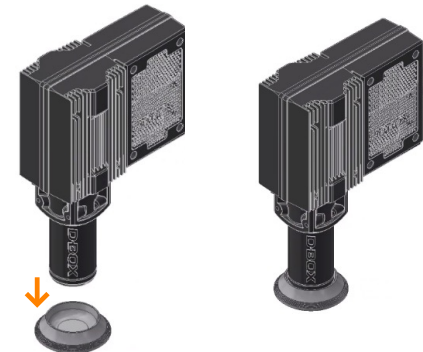
Set all **haptic actuators** to meet your region power voltage by using the switch selector located underneath the casing.



5 | HAPTIC ACTUATOR ENDINGS

NON-CAPTIVE ENDINGS

G5 haptic actuators come native with non-captive endings. Once the actuators are installed on your platform, simply drop the actuators into the provided metal cups:



CAPTIVE ENDINGS (OPTIONAL)

Please refer to the instruction manual for detailed instructions. **Never operate the haptic actuator without the ending installed. This may lead to irreparable damages to the actuator:**

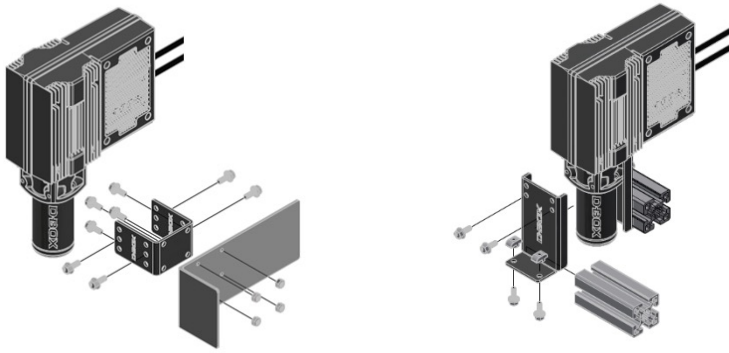


D-BOX G5

Quick Start Guide

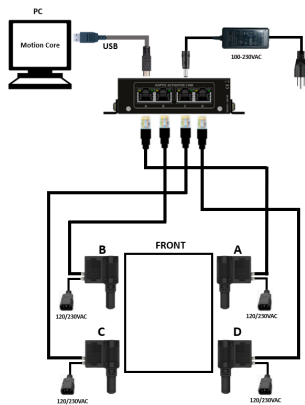
6 | BRACKETS INSTALLATION

Attach your haptic actuators to the "U" or "L" brackets using the provided screws. "U" brackets should be mounted first on your platform:



7 | CONNECT YOUR SYSTEM

Connect your haptic actuators to the haptic bridge as per the diagram below. For 1, 2 & 3 actuators configuration, please refer to the instruction manual:



8 | SOFTWARE INSTALLATION

- 1 Download the D-BOX Motion Core (drivers) at: www.d-box.com/en/software-downloads
- 2 Extract & Install Motion Core on the computer (PC) that will be connected to your motion system.
- 3 For additional information on Motion Core, read the Help Section available in the application.

9 | SYSTEM CONFIGURATION

- 1 Download System Configurator at: www.d-box.com/en/software-downloads
- 2 Extract the compressed file and run the installer. The user guide is provided in the compressed file.
- 3 Connect your Haptic Bridge to your computer with the USB cable provided with your system.
- 4 **Firmware update:** D-BOX upgrades the components firmware on a regular basis. We recommend that you update your equipment to the latest firmware version, upon reception, using the System Configurator.
- 5 **Configuration update:** Your Haptic Bridge comes with a blank configuration. You need to configure your Haptic Bridge to match your haptic system configuration using the System Configurator.

10 | CONNECT & PLAY

- 1 Create your D-BOX Connect account at: <https://connect.d-box.com/>
- 2 Your haptic system is now ready to use. Make sure the haptic actuators go through their homing sequence. If the product is not working as intended, please contact the D-BOX Support Team.