

UNLEASH THE FULL POTENTIAL OF YOUR G5 HAPTIC SYSTEM WITH MULTIPLE CONNECTIVITY OPTIONS. WHEN CONNECTED TO THE G5 HAPTIC BRIDGE, THE G5 HAPTIC EXPANDER ALLOWS YOU TO CONNECT ADDITIONAL HAPTIC ACTUATORS, BRINGING YOU UP TO SEVEN (7) TOTAL FOR AN ULTRA IMMERSIVE EXPERIENCE!

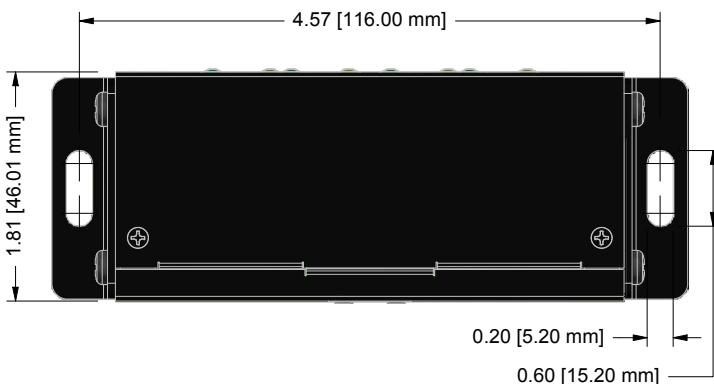
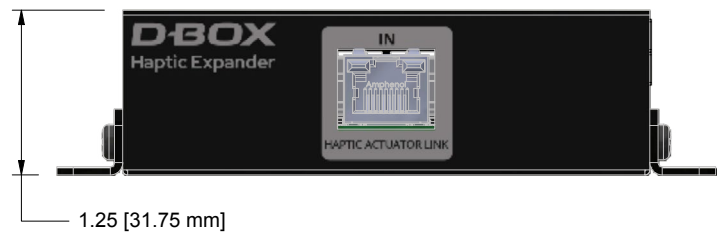
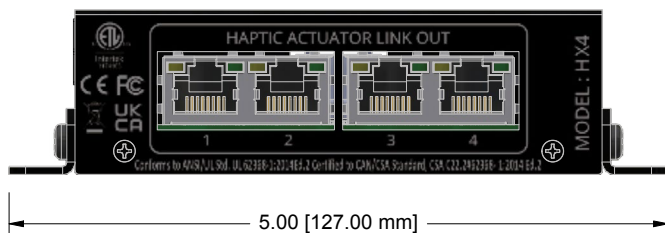
FEATURES

- Compatible with G5 haptic systems.
- Optional add-on not included with the purchase of a G5 haptic system.
- Allows you to go up to seven (7) Haptic Actuators giving you the potential for 6 degrees of freedom.
- No driver installation required. Easy user configuration via the D-BOX System Configurator.

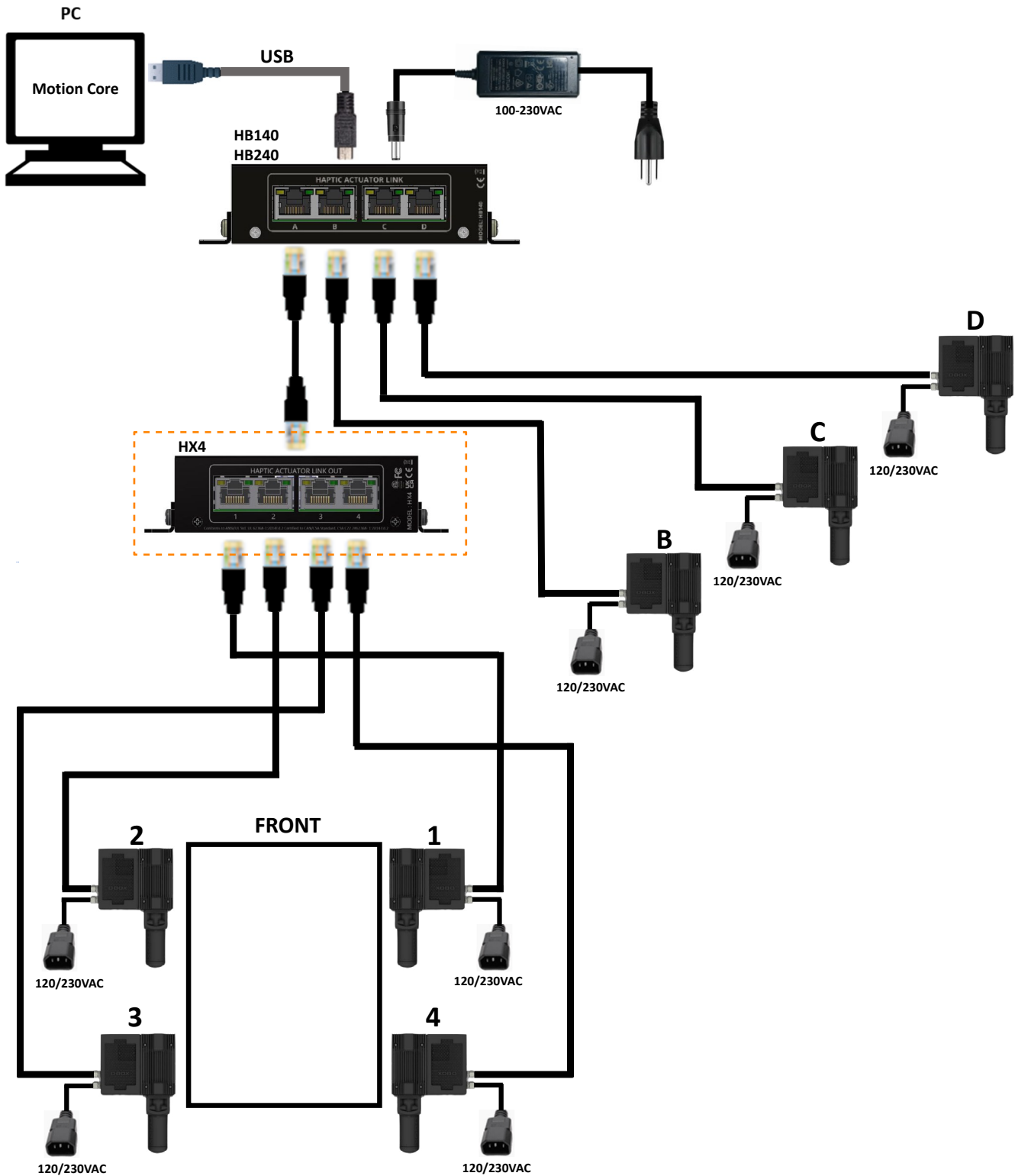


TECHNICAL SPECIFICATIONS

POWER REQUIREMENTS	Self-powered via Haptic Bridge
DIMENSIONS	127 x 146.01 x 31.75mm (5 x 1.81 x 1.25")
WEIGHT	182g (0.4lb)
STANDARD OPERATING TEMPERATURE RANGE	5°C - 40°C (41°F - 104°F)



WIRING DIAGRAMS



*See G5 User Guide for all possible configurations